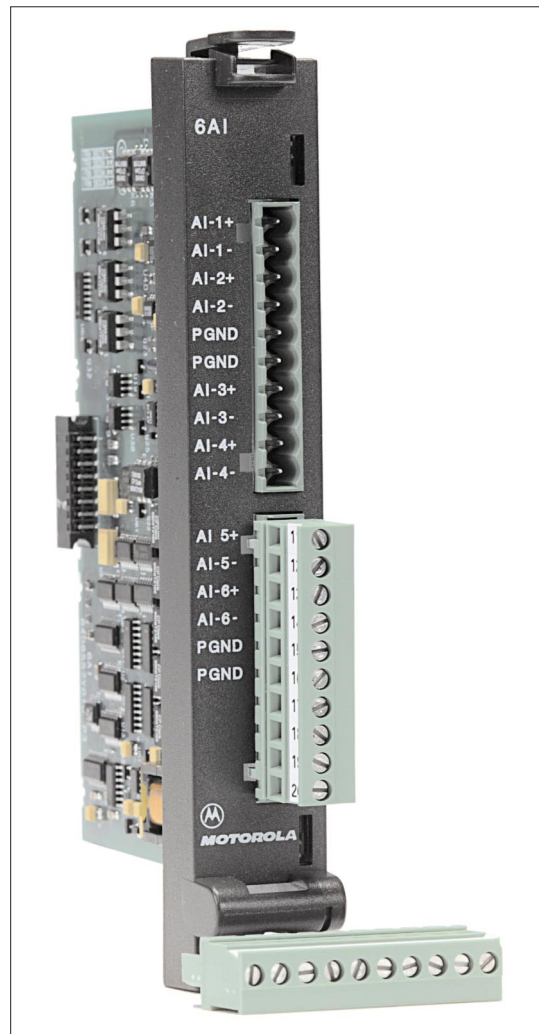


6AI Analog Input Module

for the MOSCAD-L RTU

The 6AI Analog Input module is an accessory to the MOSCAD-L RTU. It allows 6 dc analog currents, from other on-site equipment, to be connected to the RTU. Examples include tank level sensors, flow-rate sensors, and RPM sensors.



Features / Benefits

Data Input

The analog currents applied to the module are multiplexed to an on-module analog-to-digital converter (ADC), all under the control of the MOSCAD-L CPU module.

◆ *As controlled by the defined application program, the 6AI module will read the instantaneous value of one or more of the inputs and move that data from the 6AI module into the CPU module via the motherboard. This data may then be used by the application program to perform the desired functions.*

Self-Calibrating

The 6AI module also multiplexes two additional on-module inputs to the ADC, namely logic ground and a calibration voltage.

◆ *These digitized signals are used to:*

- ✦ *Eliminate any ADC offset (drift), thereby stabilizing the ADC output.*
- ✦ *Check the ADC and other common circuit components for proper operation.*

Isolated Inputs

All inputs are protected by optical isolators that also function as the multiplex switches. An on-module power supply further isolates the field-side circuits from the RTU.

◆ *Surge Withstand Capability (SWC) conformance is assured for the safety of the equipment and technicians.*

Packaging

The module plugs and locks into the module rack. Wire connections (up to 14 ga. wire) are made to removable connectors on the front of the module. No jumpers, calibration pots, etc. are located on the module — any calibration is done electronically with software contained in the Programming ToolBox.

◆ *Modularity allows the MOSCAD-L RTU to be easily expanded as systems wants and needs change, and makes field module replacement quick and easy.*

6AI Module

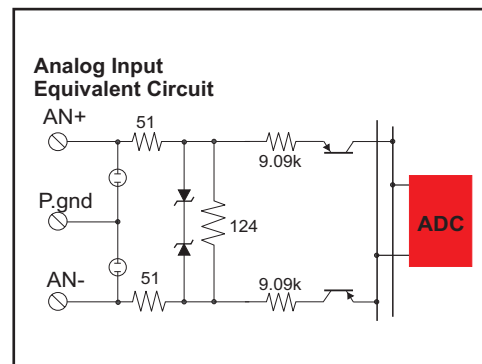
for the MOSCAD-L RTU

SPECIFICATIONS

SPECIFICATIONS	
Analog Inputs	Type: Six, 4-20 ma Input Resistance: 226 ohm
Resolution: Accuracy and Stability: Conversion Time:	12 bit (11 bit + sign) ±0.1% of full scale @ +25°C; ±50 ppm/°C 120 millisecond (per channel)
Common Mode Rejection:	60 dB minimum @ 60 Hz
Input Isolation: Input Protection: Radiated Emission:	Per IEC 255-5: between logic and analog input = 2.5 kV; insulation resistance = 300 Mohm @ 500 V Per ANSI/IEEE C37.90.1-1989: oscillatory wave = 2.5 kV; fast transient = 4 kV Per IEC 801-2, air discharge: 8 kV; contacts: 4 kV Per IEC 801-3, radiation immunity: 3 V/m Per IEC 801-4, fast transient: 0.5 kV Per EN55022 and FCC Part 15
Diagnostics:	LEDs on CPU module: 6 AI underflow, 6 AI overflow
Power Consumption: Humidity: Temperature:	5 Vdc: 10 ma; 12 Vdc: 35 ma 0 to 90% @ +50°C without condensation -30 to +60°C

Specifications subject to change without notice.

Connections Chart							
Term	Function	Term	Function	Term	Function	Term	Function
1	AN1 (+)	6	Pgnd	11	AN5 (+)	16	Pgnd
2	AN1 (-)	7	AN3 (+)	12	AN5 (-)	17	unused
3	AN2 (+)	8	AN3 (-)	13	AN6 (+)	18	unused
4	AN2 (-)	9	AN4 (+)	14	AN6 (-)	19	unused
5	Pgnd	10	AN4 (-)	15	Pgnd	20	unused



Motorola U.S.A.
1301 E. Algonquin Road
Schaumburg, Illinois 60196
Phone: 1-800-247-2346

Motorola Latin America Division
899 W. Cypress Creek Rd. #200
Fort Lauderdale, FL 33309
Phone: 1-954-928-2000

Motorola Asia Pacific Ltd.
39/FL Natwest Tower
Times Square, Causeway Bay
Hong Kong, PRC-SAR
Phone: 852-2966-4366

Motorola UK Ltd.
Jays Close, Viabes Industrial Estate
Basingstoke, Hampshire
RG22 4PD
Phone: +44-1256-484341

Motorola Canada Ltd.
3900 Victoria Park Avenue
North York, Ontario M2H 3H7
Phone: 1-800-268-5758

©, Motorola and MOSCAD are trademarks of Motorola Inc. ■ All company and product names are trademarks or registered trademarks of their respective companies. ■ ©1998 by Motorola Inc. ■ Printed in U.S.A. ■ Produced by Customer Communications
Motorola is an Equal Employment Opportunity/Affirmative Action Employer
Visit us on the Web at <http://www.mot.com/MOSCAD>